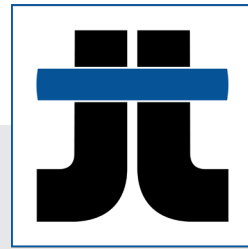


# DECKING RISER PEDESTAL



Jouplast®



French Manufacturer

[www.jouplast.com](http://www.jouplast.com)



- › Adjustable with one hand : not additional tools.
- › Fast installation.

*Products for terraces and patios for pedestrian use only.*

## RECOMMENDATIONS

**WARNING**, when using riser pedestals, the sub-frame must be constructed using wooden or metallic joists only (not composite)

### GENERAL RULES RELATING TO THE WOODEN FRAME

Make sure that there is a gap between the wood.

and the ground. Wooden flooring\* must be raised off the ground to ensure that the frame is well ventilated. Use polymer shims or risers to lift the frame off the ground.

Where possible, opt for a cross-braced wooden frame. Installing braces \* or supports between the joists will make the frame stronger and more stable.

### CHOOSE THE RIGHT DECKING BOARDS

#### Board slenderness ratio \*

In France, board thickness is defined according to the standard NF B54-040. Be sure to find out more about this standard before deciding which decking boards to use.

#### Board quality

Any idiosyncrasies noted on the boards could have negative consequences. Check for buckled, warped or curled boards, or boards with an irregular pattern in the wood fibre.

#### Drying the boards

Ensure that the board drying techniques used meet the requirements for the selected species.

AD: Air drying for naturally stable wood (e.g. IPE exotic wood).

KD: Kiln drying for wood requiring a more controlled drying environment.

In accordance with the rules defined by DTU 51.4, the moisture content of the wood must be between 18% and 22%, otherwise there is a risk that the installation will degrade.

› **THIS MUST BE VERIFIED WITH THE WOOD DISTRIBUTOR**

### MAINTAINING THE WOODEN DECKING

Over time, the decking boards may turn slightly grey. This is a natural phenomenon whereby a thin surface layer oxidises due to UV rays and bad weather. This grey layer can be removed with a wood brightener and brush. You can also apply a saturation oil in the same colour as the wood species.

### CHOOSING THE RIGHT WOODEN FRAME

The quality of the wood used for the frame is as important, perhaps even more so, than that used for the boards.

You must use joists made from the same or better quality wood than that used for the decking boards.

## GLOSSARY

**LAYOUT PLAN:** This is drawing, on a plan or elevation, of the arrangement of elements of defined shapes to form a pattern, compose an assembly, cover a surface or fill a space.

**DTU:** A «Document technique unifié» (DTU) is a building code applicable to building works contracts in France. It is drawn up by France's General Building Standardisation Commission (Commission Générale de Normalisation du Bâtiment) and administrated by its Scientific and Technical Centre for Building. The DTU comprises a standard set of technical clauses applicable contractually to building works contracts.

**EXTERIOR WOODEN FLOORING :** Exterior floor surface consisting of boards with joists fixed to frames with stabilised foundations (risers, shims, beams, etc.).

**BRACE :** A piece of wood placed between the joists to strengthen the frame.

**SLENDERNESS RATIO :** Ratio between the thickness and width of the board.

**CENTRE-TO-CENTRE DISTANCE :** The centre-to-centre distance is the distance between two axes on one object or two objects (e.g. the centre-to-centre distance of a joist).

## Safety first!

Use protective glasses and safety gloves



## Minimal tools required

- A screwdriver
- A level
- A saw (jigsaw, circular saw)
- Wood drill with stop
- Screw for decking board (countersink with depth stop)

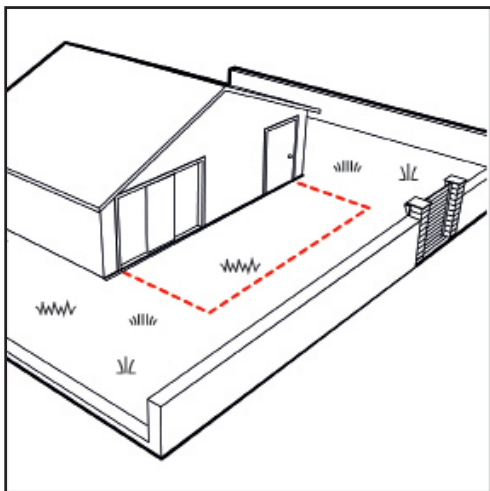


## Advices from the Pros

### Also recommended

- Screed tool
- Chalk or line marking spray
- Joist hanger
- A vibrating plate
- Stainless steel fasteners

STEPS



1

**DEFINE THE AREA**

› Firstly, define the area for the installation of the terrace.

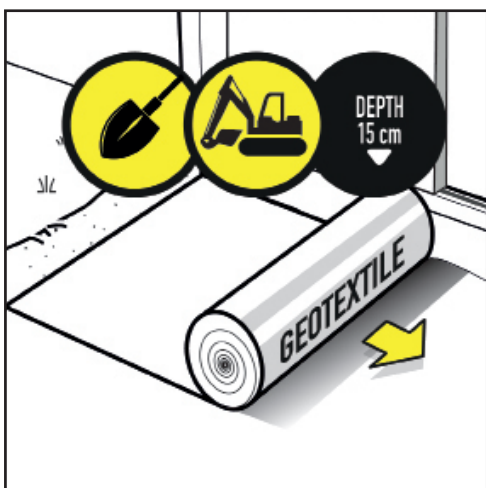


**Advice from the pros**

› Before starting check your pattern : cuts, spacing..

2

**SITE PREPARATION**



**Advice from the pros**

› Work on a clean and stabilised ground

**2 possibilities :**

**Onto the ground :**

› Excavate 15 cm of soil.

› Lay a geotextile on the subbase.



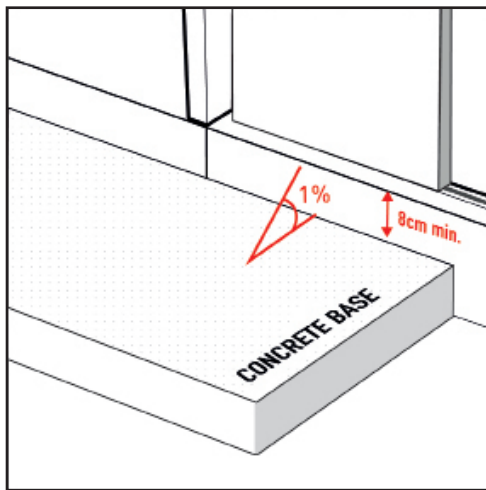
› Drop a 15 cm draining layer made of 30/60 or 40/80 crushed gravels.

› Compact with a vibrating plate.

**Advice from the pros**

› During earthwork and according the type of the soil, a 2<sup>nd</sup> layer (Upper foundation) can be done. Lay a geotextile and drop a layer of 5/15 gravels.





**On a concrete base :**

› Check the available heights at the door or window sills.

Allow a minimum of 8 cm and 1 cm additional if using the invisible fixing system FIXEGO®.

**Advice from the pros**



› Check if the concrete base is in good conditions and check the slope.

**3**

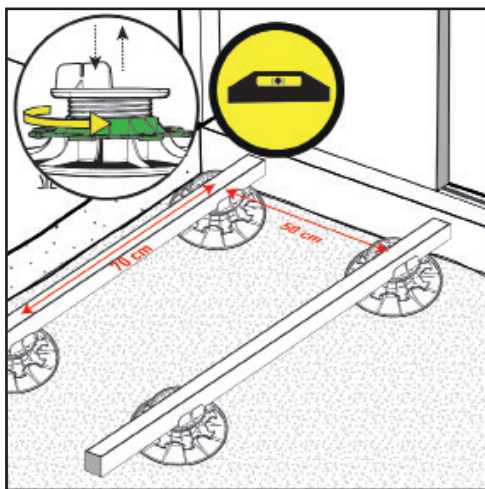
**RISER POSITION**

› Lay directly the riser onto the surface according to the recommended spacing.

- 70 cm between each riser (according wood essence type).

- A distance of 50 cm between the timber joists.

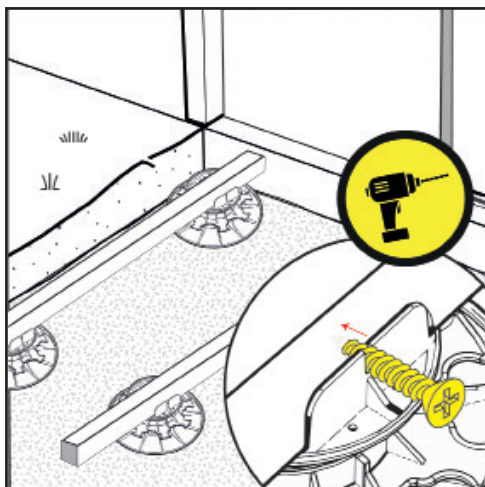
› Use to the vertical lug to position the timber joists.

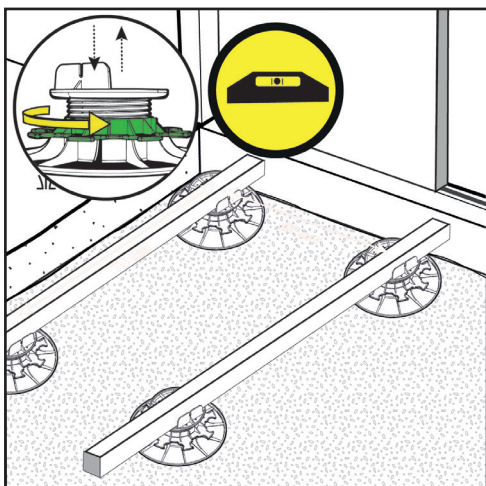


**4**

**FIX THE TIMBER TO PEDESTAL**

› Screw through into the beam using 1 screw per pedestal.

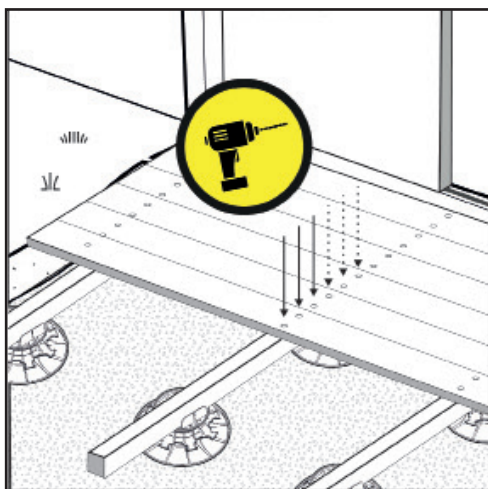




5

## HEIGHT ADJUSTMENT

› Use the nut on the pedestal to simply adjust to desired height.



6

## DECKING LAYING

› Fix the board using either the invisible fixing system FIXEGO® or screws.



### *Advice of the Pros*

› *Predrilling is recommended.*

› Apply the decking cover tape on the timber joists to prevent from moisture and from run-off water.

**TERRACE FINISHING****At the end of the joist**

› Place the lateral riser support on the riser basis.

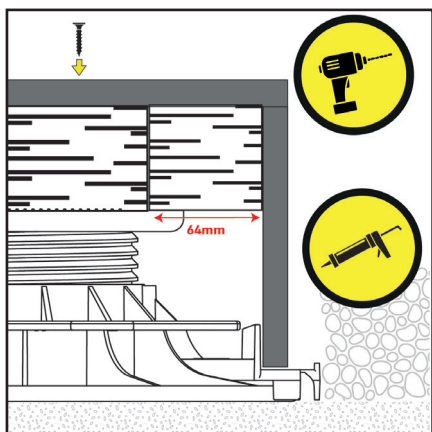
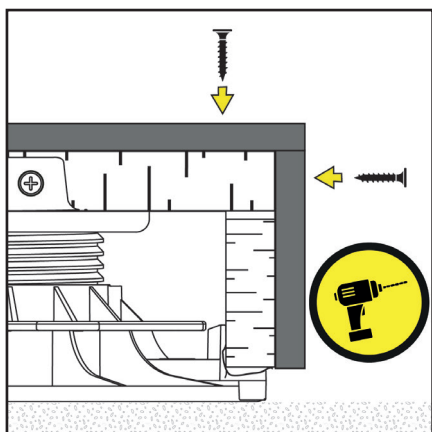
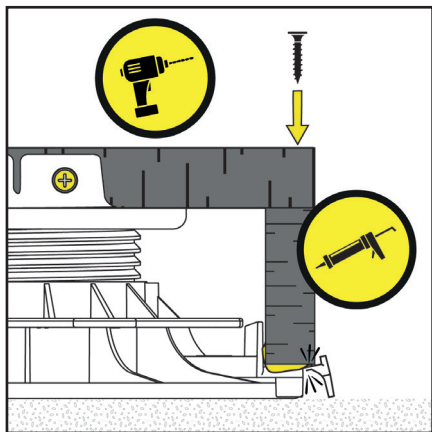
› Lay the timber.

a) Vertically, put some PU glue on the «glue trap». Lay the small timber against the lateral riser support. (Beforehand, split the cleat).

b) Fix the 2 timbers together with a screw.

c) Screw through into the beam.

› Lay the boards.

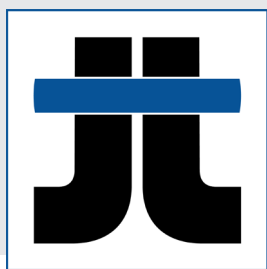
**Along the joist**

› Place the lateral riser support on the riser basis.

› Cut a block of wood of 64 mm and fix it to the timber.

› Put some PU glue on the «glue trap» of the lateral support. Place the side board and fix it to the block wood with a screw and strongly press against the «glue trap».

# DECKING RISER PEDESTAL



**Jouplast®**  French Manufacturer

Since 1986, JOUPLAST® have been the leading manufacturer of paving and decking riser pedestals. We continue to grow and develop innovative solutions for both the domestic and commercial markets.

The success of JOUPLAST® is down to a combination of great technical expertise, creative design and a desire to manufacture products which meets the needs of the markets.

JOUPLAST® a brand of :



**OUR GOAL : TO PROVIDE A FULL RANGE OF INNOVATIVE PRODUCTS THAT MAKE THE JOB EASIER**

[www.tmpconvert.com](http://www.tmpconvert.com)



Suggested use