

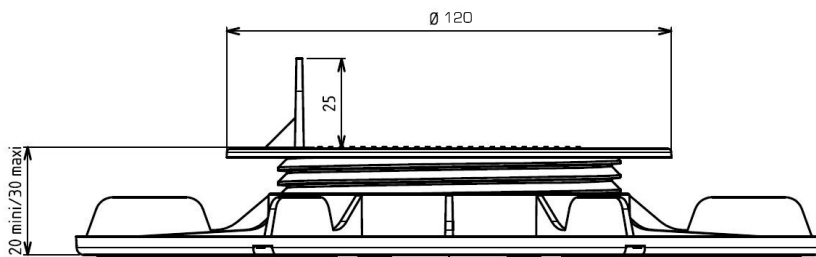
DECKING RISER PEDESTAL

ADJUSTMENT IN HEIGHT 20/30 MM

«ESSENTIAL» RANGE



TECHNICAL DETAILS



- › Material : recycled polypropylene
- › Colour : black
- › Adjustable height : mini: 20 mm / maxi: 30 mm
- › Basis diameter : 208 mm
- › Support surface diameter : 120 mm
- › Vertical lug height : 25 mm
- › Weight : 0.154 kg
- › Resistance to extreme temperature from -30°C to +60°C
- › UV and FROST resistance

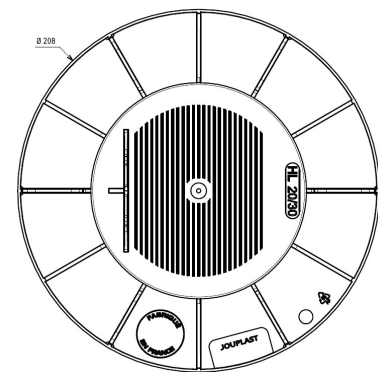
APPLICATIONS

- › To build decking made of wood or composite boards, for pedestrian use only.

BENEFITS

- › No additional tools : adjustable with one hand.
- › Suitable with FIXEGO®: Invisible fixing for wooden decking board.

TOP VIEW



RESISTANCE

- › Resistance to crushing test exceeds 1T.

PACKING

Available in box of 60 pcs
(25 boxes per pallet)

Available in bag of 12 pcs
(5 bags per box - 8 boxes per pallet
palette - Stackable pallet)

RECOMMENDATIONS

- › Terraces and patios for pedestrian use only.
- › Outdoor use only.
- › The sub frame must be constructed using wooden or metallic material only (not composite).
- › HL 20/30 mm decking riser is not compatible with 60 mm extension.